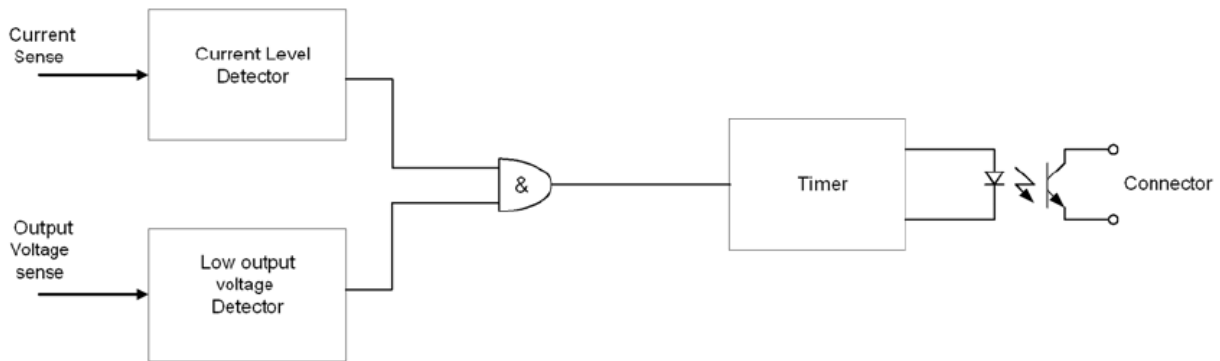


## 69899: SD – Alpha C.AM Section 7 – CD Option

The CD option is a factory fitted board and is attached to an output module. The option monitors the module output voltage and output current. The option provides an optically isolated output signal if high current and low voltage occur simultaneously for >850mS (e.g in an overcurrent/overload condition).

Alpha CD Option Block Diagram



### Specifications

#### Current Level Detector

Current detect threshold                      typ >75% of rated current

#### Low output voltage Detector

Voltage detect threshold                      typ <25% of nominal

#### Timer

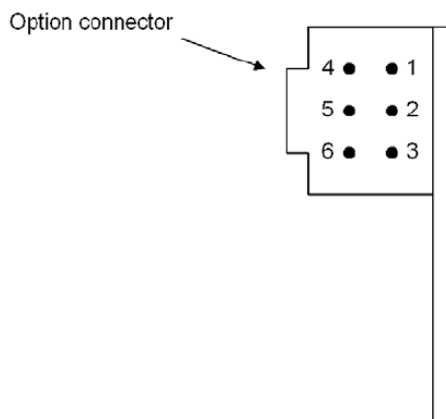
Timer Delay                                      typ 850mS

#### Optocoupler Output

Max sink current for  $V_{ce} < 0.8V$       1mA max

Max collector - emitter voltage          50V

#### Connector Pin-out



#### Option connector pin-out

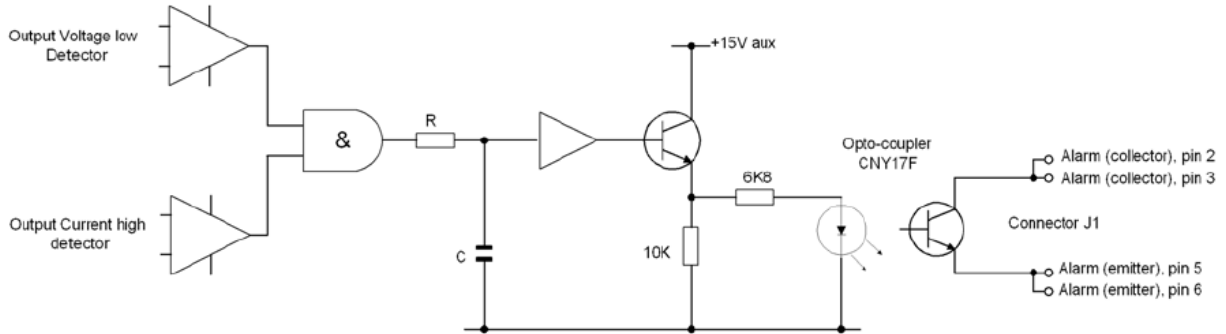
- 1 Not Connected
- 2 Alarm (collector)
- 3 Alarm (collector)
- 4 Not Connected
- 5 Alarm (emitter)
- 6 Alarm (emitter)

Mating connector details  
(parts supplied)

6-way housing : Molex 90142-0006

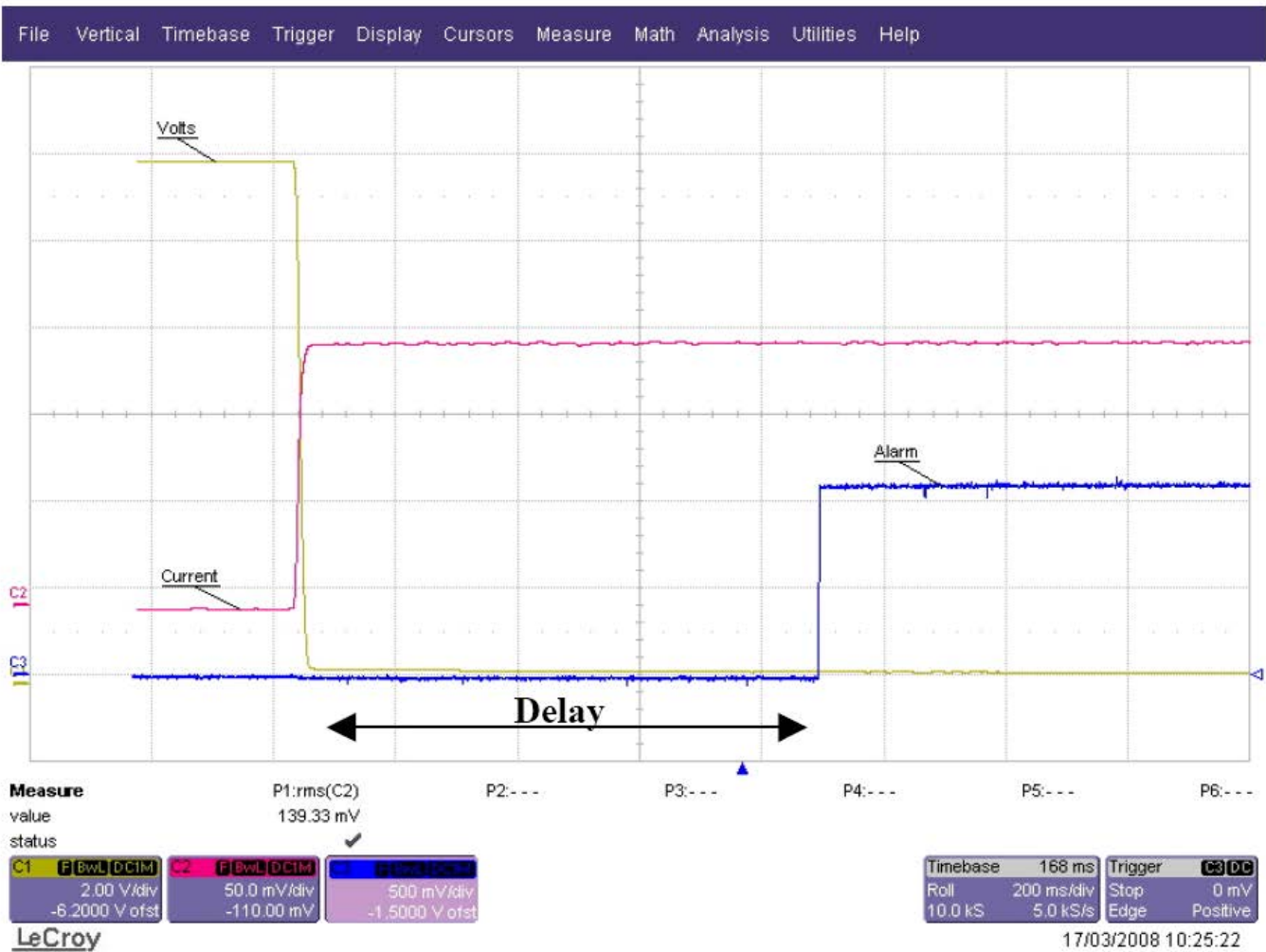
Issue:	1			
Mod:	38410			
Date:	9.4.08			
Owner:	MIS			
MED Support:	MED			

### Internal Schematic



### Waveforms

Typical Alarm signal response to output overload :-



Issue:	1			
Mod:	38410			
Date:	9.4.08			
Owner:	MIS			
MED Support:		MED		